



**STAINLESS STEEL
globe valves**

with gland packing

flanged

**PN 10 - 40
DN 15 - 300**

Applications

- Process engineering, general industry building services industry, domestic engineering.
- Food, beverages and tobacco industry.
- For aggressive media.

Operating data

- Maximum allowable pressure 40 bar.
- Max. permissible temperature from -10°C to +400°C .
- Pressure-temperature rating see next side.

Materials

- Cast steel G X 5 CrNiMo 19-11-2 - 1.4408.

Design

- Straight-way pattern with vertical bonnet.
- Shut-off cone.
- Rotating stem with rising handwheel.
- Back seat.
- Bonnet gasket inside and outside confined.
- Stem sealed by gland packing.

The valves meet the safety requirements of the Pressure Equipment Directive 97/23/CE (PED) of annex I for fluids of the group 1 and 2.

The valves do not have a potential internal source of ignition and can be used in potentially explosive atmospheres, group II, category 2 (zones 1+21) and category 3 zones (2+22) according to ATEX 94/9/EC

Standard variants

- For application down to -60°C.
- Throttle cone.
- Position indicator.
- Pressure relief cone.
- Cone with PTFE gasket (up to 200 °C max.).
- Free from oil and grease.
- PTFE-coated gasket (up to 200 °C max.).
- PTFE packing.
- Heating jacket made of 1.4541/1.4301 or 1.4571/1.4404.
- Other flange designs.

Remarks

- BOACHEM® ZXAB: Globe valve with bellows and vertical bonnet according to type series book V-623080/5-10.
- BOACHEM® ZYAB: Globe valve with bellows and Y-pattern according to type series book V-623081/1-10.
- BOACHEM® ZYA: Globe valve with gland packing and Y-pattern according to type series books V-623083/1-10(ZYA).
- BOACHEM® RXA: Non-return valve with vertical bonnet according to type series book V-623084/1-10.
- BOACHEM® FSA: Strainer with y-pattern according to type series book V-623085/1-10.
- Operating instruction V827080-10

On all enquiries / orders please specify

- | | |
|-------------------------|-------------------------------|
| 1 Type | 6 Medium |
| 2 PN | 7 Operating Temperature |
| 3 DN | 8 Pipe connection |
| 4 Working pressure | 9 Variants |
| 5 Differential pressure | 10 Type series booklet number |

Note: Applications and Working Conditions:

applicability, as well as working and using conditions depend on materials

For further information, please do not hesitate to contact our Technical Department



Pressure-Temperature ratings²

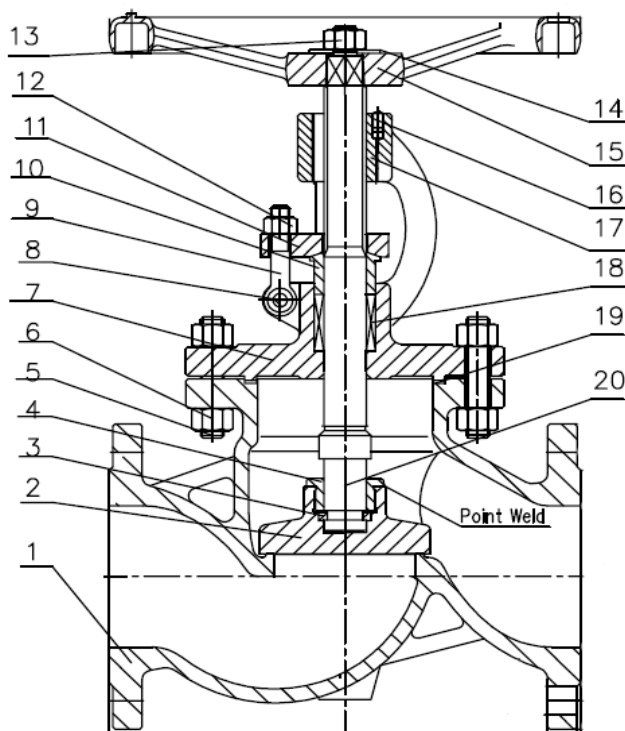
Nom. pressure PN	Material	Working pressure at temperature in °C in bar ¹							
		20	100	150	200	250	300	350	400
10	1.4408	10	10	9	8,4	7,9	7,4	7,1	6,8
16		16	16	14,5	13,4	12,7	11,8	11,4	10,9
25		25	25	22,7	21	19,8	18,5	17,8	17,1
40		40	40	36,3	33,7	31,8	28,5	28,5	27,4

1) The Valves can be used down to -10°C

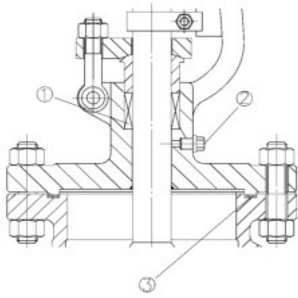
2) According to EN 1092-1

**Max permissible differential pressure
for shut off (standard cone)**

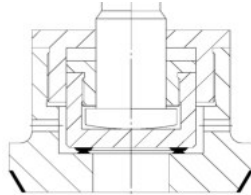
DN	125	150	200
Δp bar	33	21	12


Materials

Part no.	Name of Parts	Material	Nr. Mat. Acc.to EN/DIN
1	Body	G X 5 CrNiMo 19-11-2	1.4408
2	Disc	X5 CrNiMo 18-10	1.4401
3	Half ring	X5 CrNiMo 18-10	1.4401
4	Disc cap	G-X6 CrNi 18 9	1.4308
5	Bolt	A4-70	
6	Nut	A4-70	
7	Bonnet	G X 5 CrNiMo 19-11-2	1.4408
8	Pin	X5 CrNiMo 18-10	1.4401
9	Eye Bolt	A4-70	
10	Gland	X5 CrNiMo 18-10	1.4401
11	Grand Flange	G X 5 CrNiMo 19-11-2	1.4408
12	Nut	A4-70	
13	Nut	A4-70	
14	Gasket	X5 CrNiMo 18-10	1.4401
15	Handwheel	JL 1030	0.6020
16	Stop Screw	A4-70	
17	Stem Nut	Bronze	
18	Packing	Flexible Graphite	
19	Gasket	Flexible Graphite+SS316	
20	Stem	X6 CrNiMoTi 17-12-2	1.4571



- 1) PTFE packing
- 3) AISI 304 + Graphite Gasket

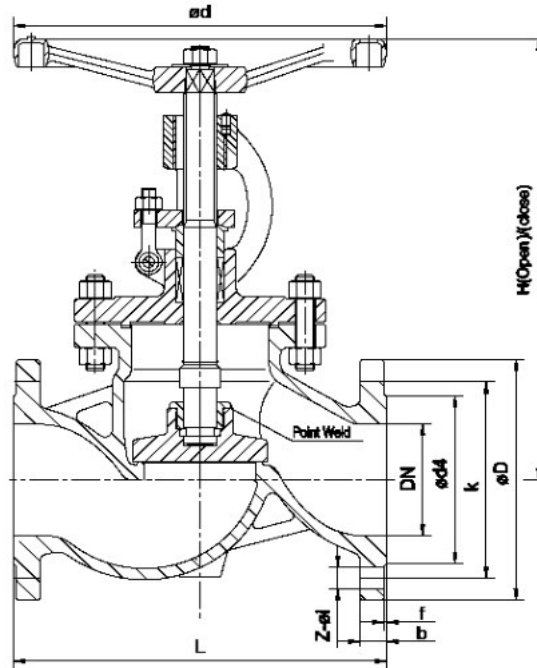


Pressure relief cone

Dimensions

- Face-to face - EN 558-1/1
(previously: DIN 3202/F1)
ISO 5752/1
- Flanges - connecting dimensions to
EN 1092-1 (previously: DIN 2501),
ISO 7005,
raised face type B1 EN 1092-1

Other flange designs (acc.to EN 1092-1):
e.g. grooved both ends type D, tongue type C,
recessed (female face) type F, spigot (male face)
type E,
Other flanges on request.



Nom. Pressure PN	Nom. Bore DN	Face-to-face dimensions L	Flange diam. D	Bolt circle k	Number of bolt holes z	Bolt hole diameter i	Raised face d4 x f	Flange Thickness b	Center-to-top height H (close)	Center-to-top height H (open)	Hand-wheel Ød	Weight kg
10/40	15	130	95	65	4	14	45x2	16	205	220	120	6,6
	20	150	105	75	4	14	58x2	18	210	235	160	7,7
	25	160	115	85	4	14	68x2	18	245	280	160	9,9
	32	180	140	100	4	18	78x3	18	265	295	160	13,2
	40	200	150	110	4	18	88x3	18	280	295	200	15,4
	50	230	165	125	4	18	102x3	20	300	320	200	20,9
10/16	65	290	185	145	8	18	122x3	22	320	345	280	27,3
	80	310	200	160	8	18	138x3	24	370	395	280	37
	100	350	220	180	8	22	162x3	24	410	435	320	50,4
	125	400	250	210	8	26	188x3	26	462	507	320	75,9
	150	480	300	250	8	26	218x3	28	520	580	360	100
10	200	600	375	320	12	30	285x3	34	650	700	360	152
	250	730	395	350	12	22	320x3	26	655	735	500	285
	300	850	445	400	12	22	370x4	26	685	765	650	486
16	200	600	375	320	12	30	285x3	34	650	700	360	152
	250	730	405	355	12	26	320x3	26	655	735	500	290
	300	850	460	410	12	26	378x4	28	685	765	650	496
25/40	65	290	185	145	8	18	122x3	22	320	345	280	30,8
	80	310	200	160	8	18	138x3	24	370	395	280	38,5
	100	350	235	190	8	22	162x3	24	410	435	320	59,4
	125	400	270	220	8	26	188x3	26	462	507	320	75,9
	150	480	300	250	8	26	218x3	28	520	580	360	105,6
25	200	600	375	320	12	30	285x3	34	650	700	360	190
	250	730	425	370	12	30	335x3	32	655	735	500	340
	300	850	485	430	16	30	395x4	34	685	765	650	567
40	200	600	375	320	12	30	285x3	34	650	700	360	202
	250	730	450	385	12	33	385x3	38	655	735	500	361
	300	850	515	450	16	33	450x4	42	685	765	650	678

Product Features - to our Customer's Benefit

